



SOLUTIONS FOR HANDRAILS

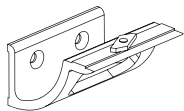
IN FRONT OF SERVICE DUCTS

APPLICATIONS

Quick-removable system (assembly wedges) designed to make easy access to service duct gates whilst providing continuation of the handrails and secure handgrip for people.

Available for Escort, Linea'Touch and Starline handrails.

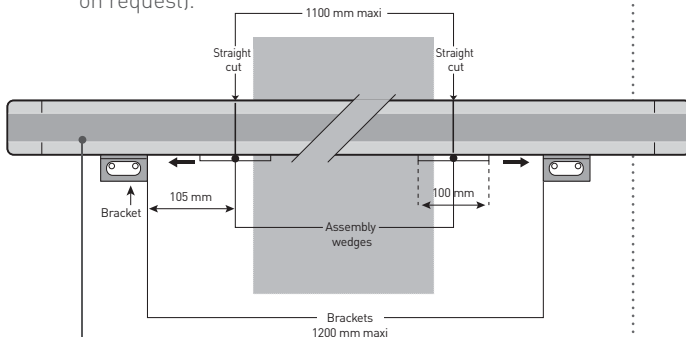
SERVICE DUCT GATES LONGER THAN 1100 MM



It is necessary to place a quick-removable bracket onto the service duct access gate.

STARLINE HANDRAIL

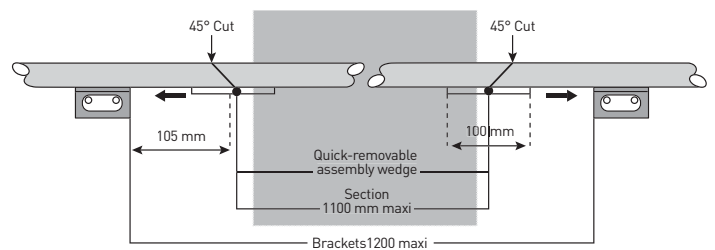
For Starline handrail, SPM can provide a ready-to-install kit (section up to 1100 mm ; other dimensions on request).



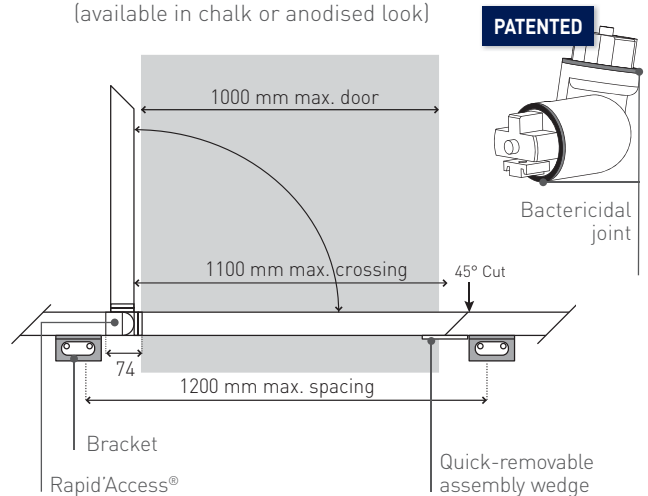
Section of Starline profile (up to 1100 mm), especially machined for service duct. (Other dimensions available on request)

ESCORT AND LINEA'TOUCH HANDRAILS

For Escort and Linea'Touch handrails, the service duct kit is installed on site: by cutting the profile to the length of the access gate using two 45° cuts and two quick-removable assembly wedges.



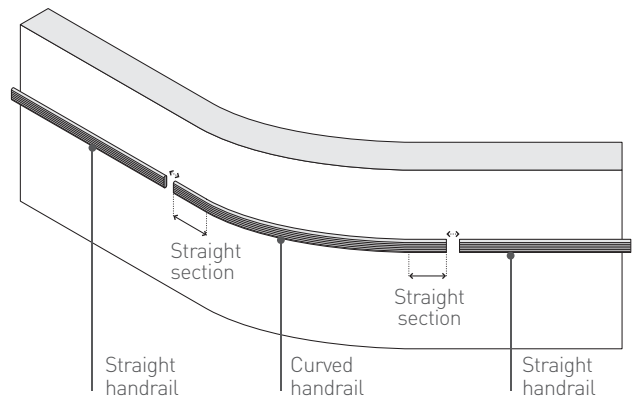
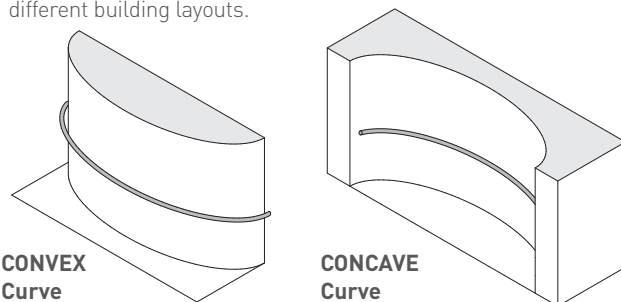
For Escort handrail, Rapid'Access®, the articulated link has been especially designed for service duct, to complete with one quick-removable assembly wedge. (available in chalk or anodised look)



CURVING

APPLICATIONS

Curving of Starline, Linea'Touch and Escort handrails to fit in different building layouts.





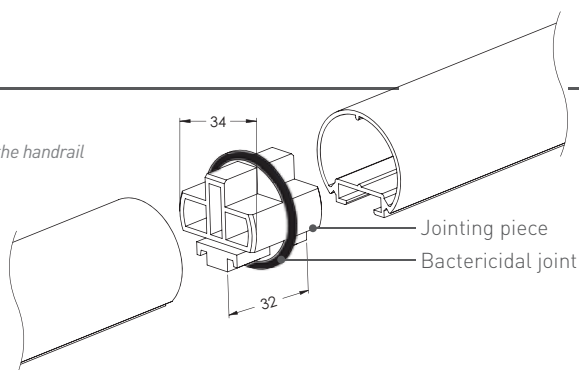
JOINTING ACCESSORY

APPLICATIONS

Aluminium jointing piece with bactericidal joint to bring perfectly into line and to hold tight between two straight lengths of Escort or Linea Touch handrails.

ESCORT

also available for the handrail Linea Touch.

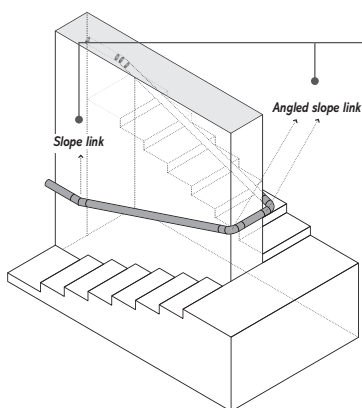


RAPID'ANGLE® FOR STAIRCASES AND FOR 80° TO 180° ANGLES

APPLICATIONS

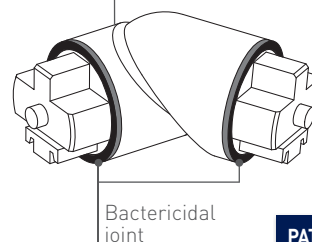
SPM has developed Rapid'Angle® for Escort round handrail and for Linea Touch trilobed handrail especially designed:

- to fit in all staircase layouts with slope link and angled slope link: rotating 3D
- to fit all angles: modular from 80° to 180°



RAPID'ANGLE® ESCORT

also available for the handrail Linea Touch.

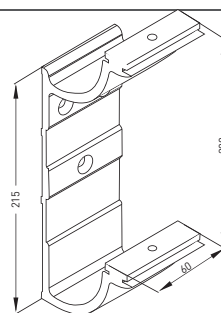


DUAL-HEIGHT SPECIAL "ACCESSIBILITY" BRACKET: ESCORT

APPLICATIONS

This dual-height bracket simplifies the installation of Escort handrails at two heights: one at the standard height and the other for children and/or those using wheelchairs. The height of the lower handrail has been specially designed to provide a comfortable aid to help such people to move around.

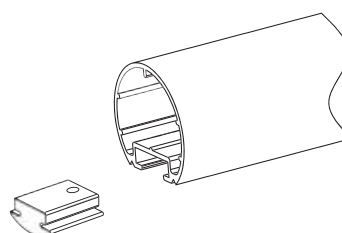
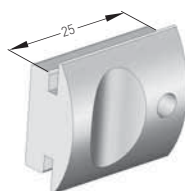
This accessory simplifies installation since only one set of horizontal marking outs is required for two levels of handrails.



TACTILE MARK: ESCORT

APPLICATIONS

Unique design for this assembly wedge of tactile mark to be fitted in under the Escort handrail to provide locating help to visually impaired persons. Repeated, it helps indicate the where on the floor we are.



To help with the installation of SPM handrails, consult the installation procedures guide available upon request.