

VIRUCIDAL*
99.96%

*virucidal activity against human coronavirus HCoV-229E according to ISO 21702. On our PVC handrails, 99.96% of the virus eliminated after two hours



I1200GR PERFORMER 2 PROTECTION HANDRAIL - 140 MM HIGH

BACTERICIDAL JOINT

BACTERICIDAL
on request

APPLICATIONS

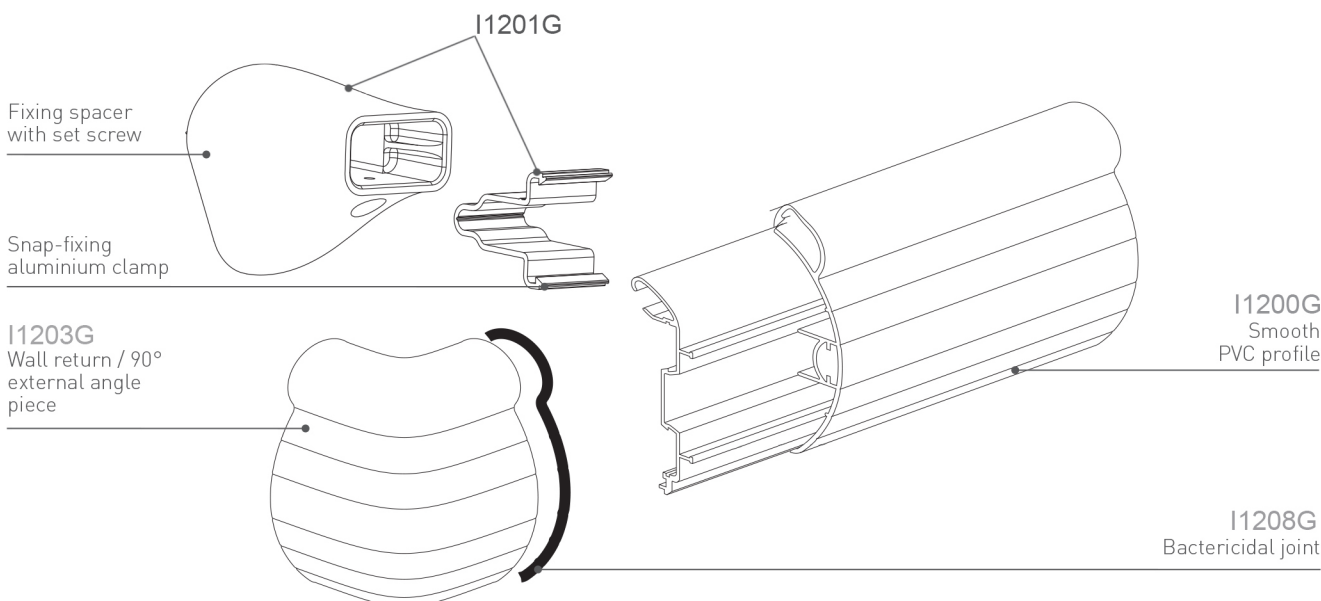
Offering both an excellent handgrip and impact resistance for corridors, this protection handrail, is ideal for all public buildings: hospitals, clinics, re-education centres, homes for the elderly.

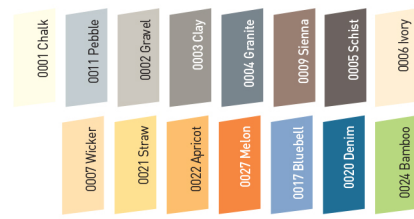
It benefits from an installation system which facilitates and speeds up the installation.

It is fitted with bactericidal joints.

SPECIFICATION

- Description: protection handrail (Performer 2 as manufactured by SPM) with quick fixing system, from 3 mm thick smooth and antibacterial PVC achieving Bs2d0 fire rating with solid colour. The height of the handrail is 140 mm, it has an overall protection of 105 mm and a depth of 50 mm. It consists of a completely smooth tubular upper part (diameter 40 mm) and a lower wall protection rail with decorative grooves. A protective film is specified to minimise cleaning before acceptance. The PVC profile snap-fixes onto a continuous aluminium profile, 2 mm thick, and finish is provided by smooth PVC accessories with decorative grooves (wall returns, 90° external angles). The unit is fitted into a PVC fixing spacer thanks to aluminium clamp. It is fitted with bactericidal joints.
- Environment: no heavy metals and no substance potentially subjected to any REACH restriction are used in its manufacture, nor PBT/BPA. The calcium-zinc thermal stabilisation process is used. The emission level of volatile substance in inside air has been tested according to ISO 16000-6 and is very low (A+) according to the French regulation (23 March 2011 nr 2011-321 Decree and 19 April 2011 Order). 100% of the product are recyclable.
- Colour: selected by architects from manufacturer's standard range.
- Installation method: upper edge of section 0.90 m max. above floor level. Fixing on PVC spacers to be fitted at 1.20 m centres (0.80 m centres in heavy traffic corridors and on light partitions like plasterboard). Wall returns and external angles fixing with pop rivets.





I1200GR

* and 16 colours with a minimum order quantity



DESCRIPTION

- Model: Performer 2 protection handrail
- Height: 140 mm
- Length: 4 m
- Tubular upper part diameter: 40 mm
- Depth: 50 mm
- Overall projection: 105 mm
- Stand-off from wall: 55 mm
- Material: 3 mm thick antibacterial and Bs2d0 fire-rated PVC, solid colour, bactericidal joint
- Surface finish:
 - upper handrail: smooth
 - protection rail: with decorative grooves
- Fixing: interlocking into quick fit PVC spacers to be fitted at 1.20 m centres (0.80 m centres in heavy traffic corridors and on light partitions like plasterboard)
- Colours: 15 standard

